

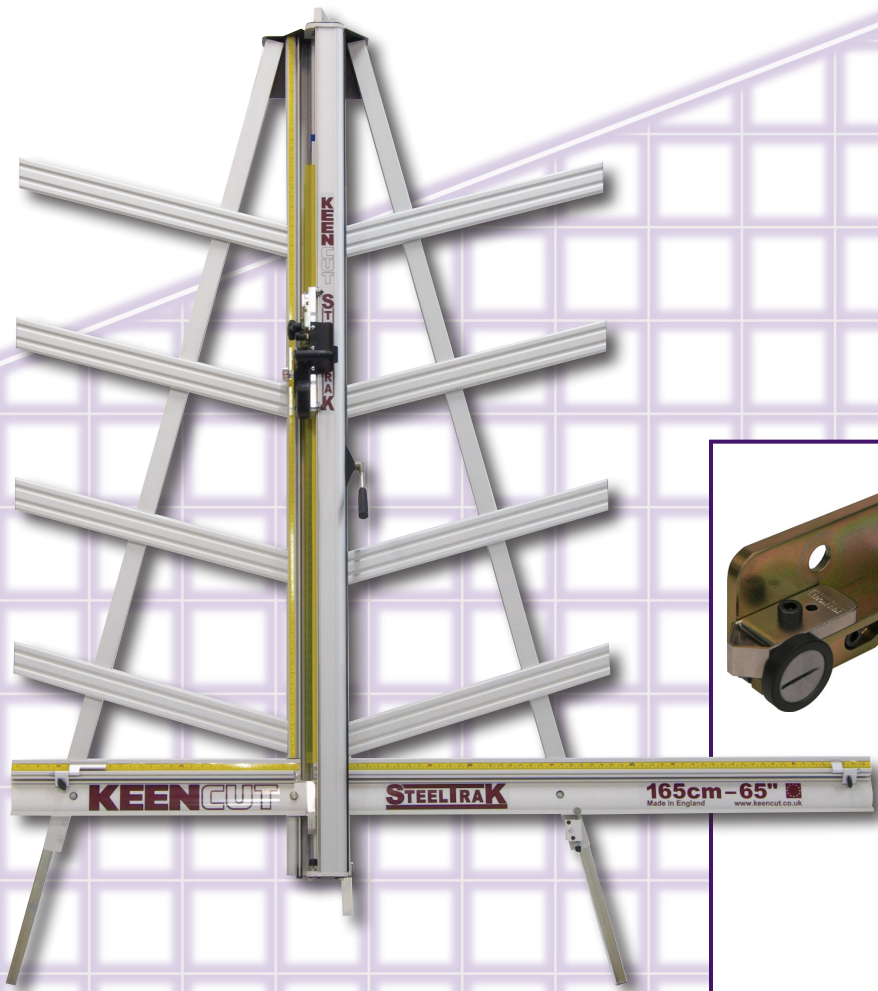
The Foster Keencut SteelTraK vertical cutter cuts even the thickest materials- up to 4mm Dibond flawlessly. Each of the three attached tools cuts on the same line. No mistakes, no special operator knowledge, no color coded production stops. All cutting tools are permanently mounted on the cutting head. Just turn the wheel and the Utility Blade, Scoring Blade, and Twin Wheel Cutting Head is ready.


Accessory items include the new V-Groove Cutting Tool for POP and architectural signs and the Aluminum Twin Wheel Cutting Wheel which can cut up to .040" Aluminum.

The SteelTraK is available in a 65" or 82" cut size and is backed by Foster Keencut's unprecedented 5 year general warranty on all parts (except blades and cutting wheels) and a 20 year warranty on the bearings used in the cutting head.

SteelTraK Sizes	
Item#	Cut Size
60380	65"
60385	82"
66002	60380 Free Standing Kit
66003	60385 Free Standing Kit
69108	Medium Duty Blades (100)
69127	Aluminum Twin Wheel Cutter
69129	Glass Cutting Kit

- 3 Turn and lock ready mounted tools for instant action
- All three blades cut on the same line
- Full length extra-grip clamping system
- Integral counterbalance
- 5 year general warranty on all parts (except blades, clamping strips and cutting wheels)
- 20 year warranty on the bearings used in the cutting head





V-Groove Cutting Tool:
The V-Groove cutter enables the folding of Aluminum composite and PVC foamboard while cutting smoothly and silently without debris, noise or burred edges. The V-Groove removes exactly the correct amount from one side of the sheet material to allow a strong 90° fold.

Model #	Item
69142	2mm
69143	3mm
69144	4mm
69146	6mm
69147	Replacement Blade
69148	Replacement Blades (Pack of 5)