



**FEATURES:**

These sleek and contemporary snap-open frame LED display utilize an edgelit technology and are designed for retail elegance. And is the ultimate solution for a wide range of interior retail and visual merchandising applications. It's grabbing your intended audience's attention by showing your transparencies and Duratrans printed graphics as they were meant to be seen. These edge-lit panels can be mounted in any position, portrait or landscape orientations.

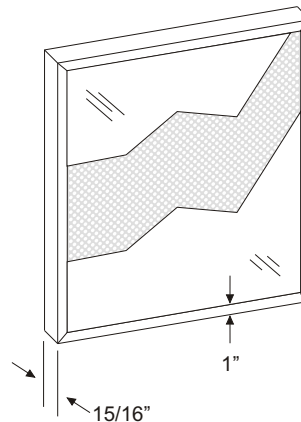
- Snap frame for easy graphic changes
- Profile offers 15/16" overall off the wall depth
- Frame Width: 1"
- Frame Finish: Satin Anodized Silver
- 50,000 hr led average lamp life span
- UL listed 100-240 input 12V DC output power
- Installs easily: Mounting Hardware included

**In Stock Dimension** Ship in one day

in inches	in inches
14 x 18	24 x 48
16 x 20	28 x 32
18 x 22	28 x 40
18 x 24	30 x 36
20 x 26	30 x 40
20 x 36	30 x 46
22 x 28	32 x 48
24 x 30	34 x 48
24 x 32	36 x 36
24 x 36	36 x 48
24 x 40	36 x 60

Custom Sizes Available - Please call

© 2011 MaxBrite LED Lighting Technology - 1740-B Junction Ave. - San Jose, CA 95112  
Toll Free: 1-800-297-2210 - Fax: 408-437-1602 | www.lumatekedgelit.com

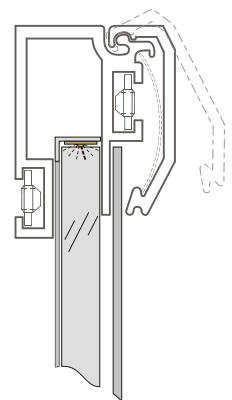


**DIMENSIONS:**

Frame Dept - 15/16"  
Visual Opening - 2" less than outside dimension

**STANDARD DESIGN:**

Electrical Input - 100-240v/60hz / 12V DC output  
Electrical Output - 12v DC Adapter 5' barrel male to female exit  
High quality LED Light Source 3528 SMD Technology ultra bright grade  
Cover Sheets - one sheet 1/8" clear acrylic cover  
frame snap open on all sides for front access



2 Year Manufacture Warranty